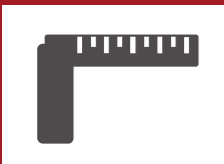


Recommended tools



measure



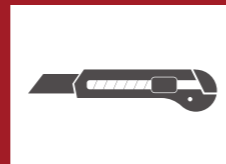
spirit level



saw



ladder



knife



safety goggles



pencil/marker



glue gun

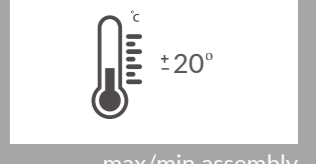
necessary conditions



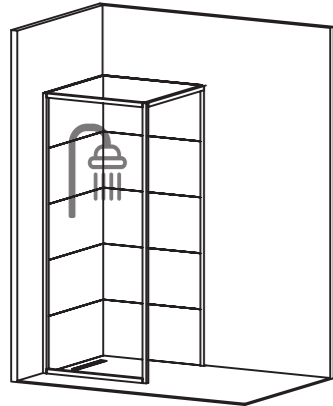
waiting 24 hours
before laying



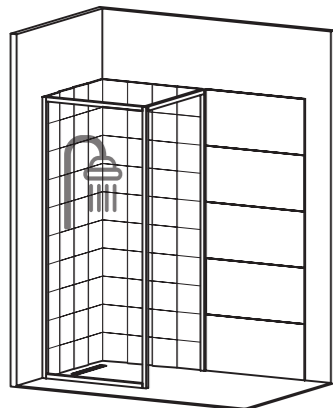
installation inside
the building



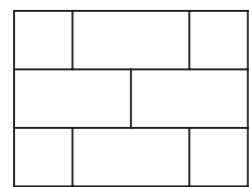
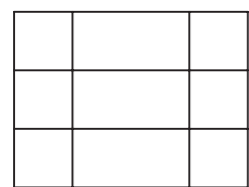
max/min assembly
temperature



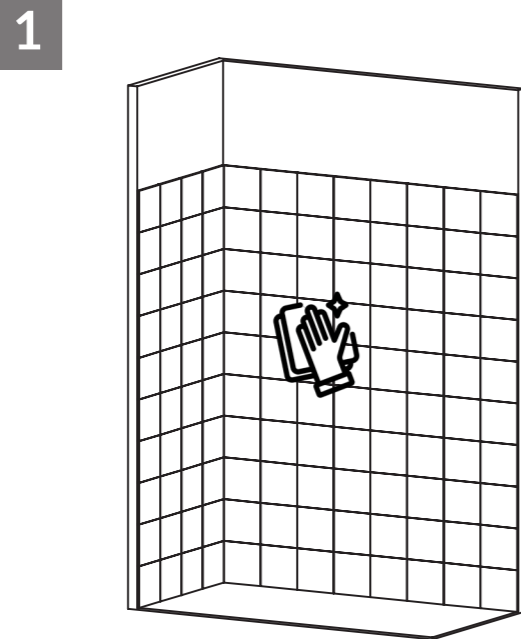
indoor installation
shower



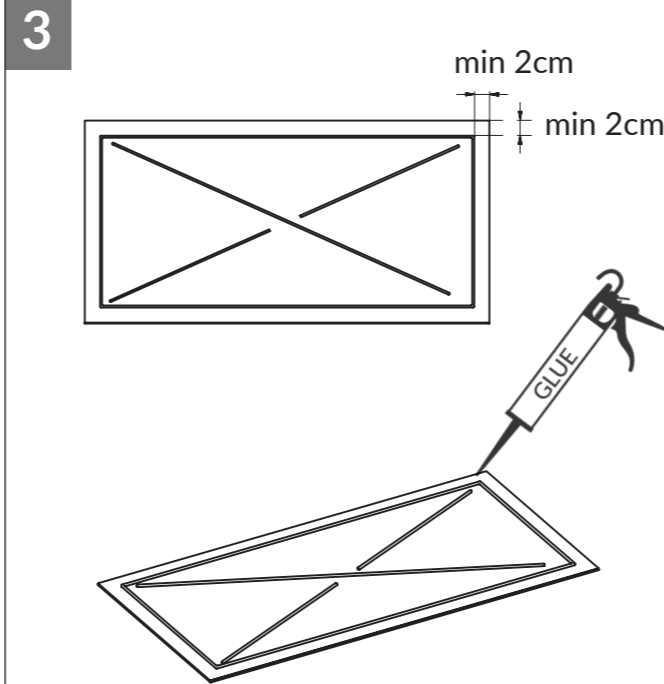
installation outside the
shower



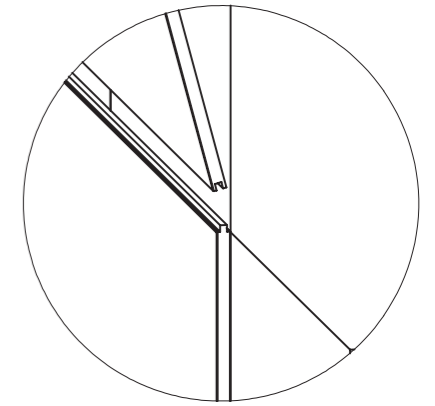
possibility of arrangement



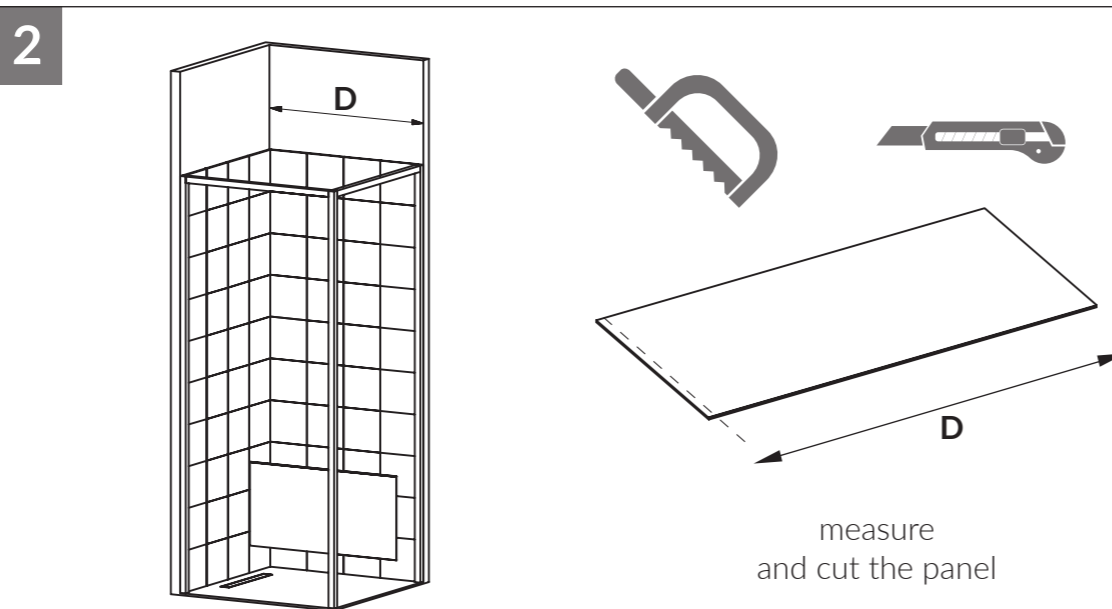
clean and degrease
surface



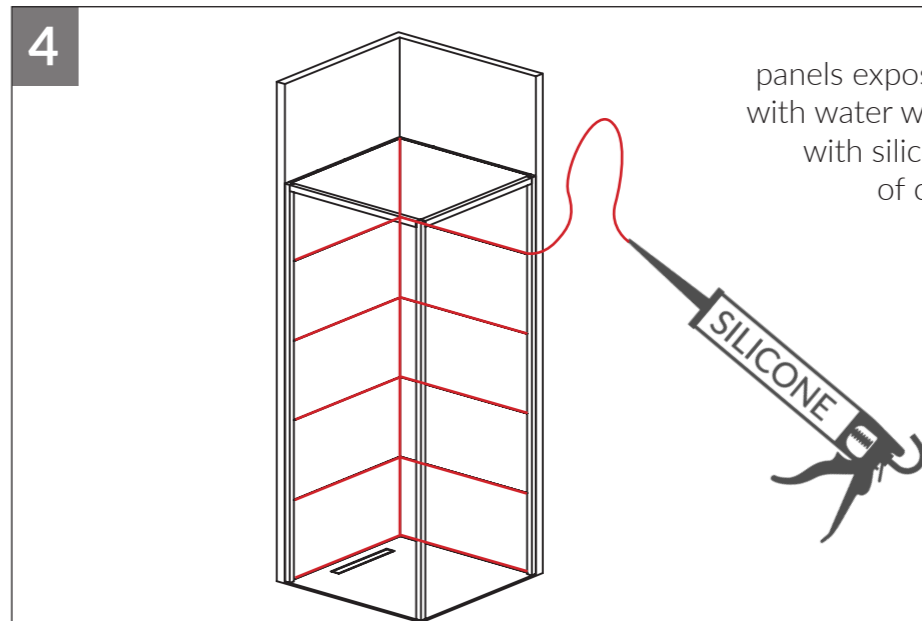
apply glue in a minimum 2 cm
from the edge



after applying the glue insert
panels into the tongue



measure
and cut the panel



panels exposed to direct contact
with water we recommend secure
with silicone in the places
of connections

